

**Motic®**

# BA200

CCIS OPTICAL SYSTEM  
Clinical and Laboratory Microscope,  
CCIS (Colour Corrected Infinity System)



BA200

## With Motic CCIS (Colour Corrected Infinity System) optics, the BA200 provides high resolution and excellent optical performance for all clinics, institutes and universities.

The T-shaped base & pyramid-designed frame provide superb stability and mechanical design to achieve ergonomic and fatigue-free operation.

This microscope has maximum performance on a minimum footprint saving valuable desk space.

Stage, focusing and illumination controls can be reached while resting your hands on the table.

Carrying of the microscope is made easy by a handle within the stage.

### Siedentopf Observation Tube

The 30° inclined tubes are ideal for both comfort and posture management. The focus is retained even when the interpupillary distance is varied.

Trinocular tube with light distribution = 100%,

Binocular / photo = 0 / 100.

### Rectangular Mechanical Stage

The 140x135mm stage incorporates a ball bearing mechanism with a triangular steel rail which allows smooth cross travel motion of 76x50mm and vernier scale readability to 0.1mm.

### Fine/Coarse Coaxial Focusing

Coaxial coarse and fine focusing mechanism is manufactured using stable and a reliable triangular rail system for durable operation of the microscope. Tension adjustable. Focusing range 25 mm with minimum increment 2 μm.

A flat fine focus wheel (or knob) with finger grip permits sensible and fast focusing.

### Abbe Condenser N.A.1.25

The Abbe condenser is focusable and centerable and provides homogeneous, well defined illumination for all objective magnifications.

### Reversed Quadruple Turret Revolving Nosepiece

Capable of mounting four quality objectives and granty easy access to the slide.



BA200



### The Light Source

The 6V / 20W halogen lamp with intensity control provides bright and even illumination at any magnification.

### Optional Accessories

Qualitative polarizing equipment;

Central stop darkfield;

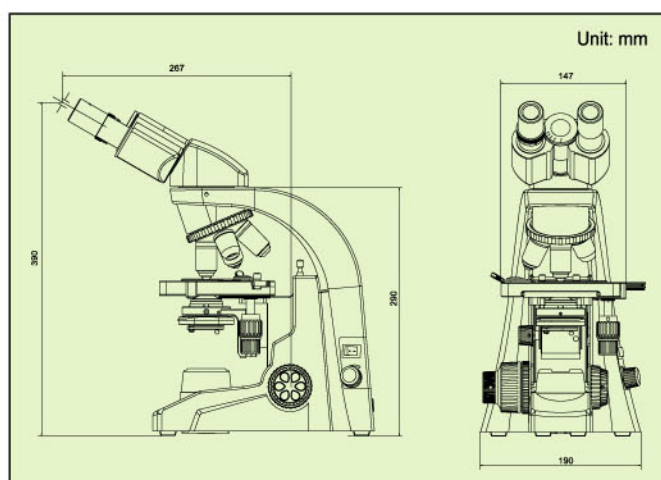
Phase contrast attachment, 10X and 40X.

## Types of objectives

Color Corrected Infinity objectives provide exceptionally clear and sharp images.

Objectives	Magnification	Numerical Aperture	Remark
CCIS E Plan Achromat	4X	0.1	-
	10X	0.25	-
	40X	0.65	Spring
	100X	1.25	Spring, Oil
CCIS EF Plan Achromat	4X	0.1	-
	10X	0.25	-
	40X	0.65	Spring
	60X	0.80	Spring
	100X	1.25	Spring, Oil
CCIS E Plan Phase Contrast	PH 10X	0.25	-
	PH 40X	0.65	Spring

## Dimensions

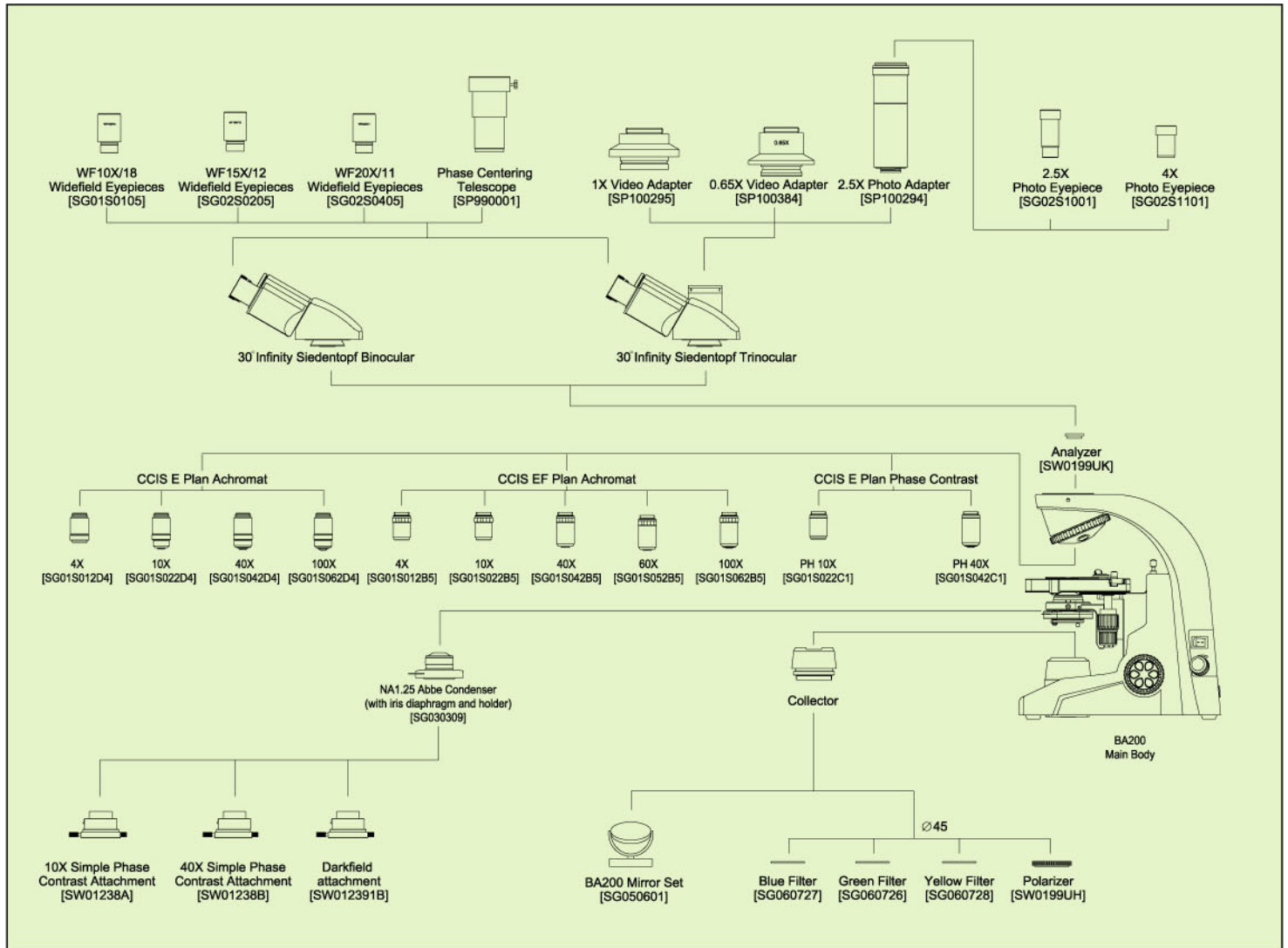


## Standard & Optional Configuration

BA200 Specification		Code No.	Bino	Trino
Eyepiece Lenses	Widefield WF10X / 18	SG01S0105	●	●
	Widefield WF15X / 12	SG02S0205	○	○
	Widefield WF20X / 11	SG02S0405	○	○
Objective Lenses	CCIS E Plan Achromat 4X	SG01S012D4	●	●
	CCIS E Plan Achromat 10X	SG01S022D4	●	●
	CCIS E Plan Achromat 40X (spring)	SG01S042D4	●	●
	CCIS E Plan Achromat 100X (spring, oil)	SG01S062D4	●	●
	CCIS EF Plan Achromatic 4X	SG01S012B5	○	○
	CCIS EF Plan Achromatic 10X	SG01S022B5	○	○
	CCIS EF Plan Achromatic 40X (spring)	SG01S042B5	○	○
	CCIS EF Plan Achromatic 60X (spring)	SG01S052B5	○	○
	CCIS EF Plan Achromatic 100X (spring, oil)	SG01S062B5	○	○
Photo and Video adapters	Photo adapter (requires one of the photo eyepieces below)	SP100294	/	○
	2.5X photo eyepiece	SG02S1001	/	○
	4X photo eyepiece	SG02S1101	/	○
	CCD adapter 1X	SP100350	/	○
	CCD adapter 0.65X	SP100384	/	○
Phase Contrast	Simple phase contrast attachment 10X (centerable)	SW01238A	○	○
	E Plan phase contrast objective PH10X	SG01S022C1	○	○
	Simple phase contrast attachment 40X (centerable)	SW01238B	○	○
	E Plan phase contrast objective PH40X	SG01S042C1	○	○
	Centering Telescope	SP990001	○	○
Darkfield	Simple darkfield attachment, 10X-40X	SW012391B	○	○
Simple Polarizing	Simple add on analyzer	SW0199UK	○	○
	Simple add on polarizer	SW0199UH	○	○
Optional Accessories	Yellow filter (45mm dia.)	SG060728	○	○
	Green filter (45mm dia.)	SG060726	○	○
	Blue filter (45mm dia.)	SG060727	●	●
	Neutral density filter (45mm dia.)	SG060768	○	○
	BA200 Mirror set	SG050601	○	○

Note: "●" represents the standard accessories, "○" represents the optional accessories

# BA200 BIOLOGICAL MICROSCOPES SYSTEM DIAGRAM



**Quality:** All electrical parts are arranged according to CE, VDE, and CSA requirements. Motic obtained the certified ISO 9001 and ISO 14001

**Warranty:** All Motic instruments are warranted against defects in materials and workmanship for five years (except for electrical and electronic parts). Damage resulted from repair by unauthorised parties or damage due to accident, alteration, misuse or abuse is not covered. Warranty service is provided by Motic or its authorised dealers. Defective Motic instruments covered by the warranty will be repaired free of charge when they are returned, postpaid, to Motic or its authorised dealers in your region.

**Design Change:** The manufacturer reserves the right to make changes in instrument design in accordance with scientific and mechanical progress, without notice and without obligation.

**Motic®**

**URL:** <http://www.motic.com>

**Motic Incorporation Ltd. (HONG KONG)**

Rm. 2907-8, Windsor House, 311 Gloucester Road, Causeway Bay, Hong Kong  
Tel: 852-2837 0888

**Motic Instruments Inc. (CANADA)**

180-4320 Viking Way Richmond, B.C. V6V 2L4 Canada  
Tel: (604) 303-9033 Fax: (604) 303-9043 Toll Free: 1-877-977-4717  
Technical Support: 1-877-901-4141 Email: [info@motic-america.com](mailto:info@motic-america.com)

**For inquiries in UK (UK)**

Saracens House, 25 St. Margarets Green, Ipswich, IP4 2BN, Suffolk, UK  
Tel: 44-(0)-14732 81909

**Motic Deutschland GmbH (GERMANY)**

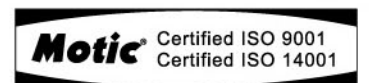
Gewerbepark Spilburg, Gebäude A42 Spilburgstrasse 1 D-35578 Wetzlar Germany  
Tel: 49-6441-210 010

**Motic Spain, S.L. (SPAIN)**

C/Pere IV, 78-84-7 Plana 08005 Barcelona Spain  
Tel: 34-93-485 1841

Motic China Group Co., Ltd. Copyright © 2002-2004. All Rights Reserved

**Design Change:** The manufacturer reserves the right to make changes in instrument design in accordance with scientific and mechanical progress, without notice and without obligation.



Code: SP010933